

INVOICE

Hickman's Service
 2689 US Hwy 12 SE
 DELAND, MN 55328
 763-972-2875 Fax: 763-972-8017

REFERENCE NO.	DATE	TIME
16813	12/8/2009	08:16
P.O. NUMBER	CUSTOMER NO.	
QUOTE	9723213	

P.1

TO: 9720591

SOLD TO

CITY OF DELAND
 205 BRIDGE AVE E.
 PO BX 108
 DELAND, MN 55328

SHIP TO

CITY OF DELAND

Page 1

SALESMAN	TYPE OF SALE	TAX CODE	SHIP VIA
1 - 1 JPB	DELIVERY TICKET MN		

QTY.	PART NUMBER AND DESCRIPTION	UNIT PRICE	EXTENSION
1	155.BOX 1U-PICKUP BOX; Stk# NOF R 000110286; CC:0 STEEL FLAT BED	750.00	750.00
1	999.BOX 1U-Misc. Parts; Stk# NOF R 000110287; CC:0 REMOVAL OF EXCESS ON BED	40.00	40.00
30 DAY CURE RETURN, NO RETURNS ON SPECIAL ORDER Please circle Payment Type: Cash Charge Check C/Card D/Card Delivery Date		TAX	51.56
Discount .00 Taxable 750.00 Sub Total 790.00		TOTAL	841.56

RECEIVED BY

DEC-7-2009 19:42 FROM:



1130 73rd Avenue NE
Fridley, MN 55432

763-571-1902
1-800-795-1280
Fax 763-571-5091

AN EQUAL OPPORTUNITY EMPLOYER

November 24, 2009

Ernie Eden
City of Delano
402 County Road 30 SE
Delano, MN 55328

Reference: Quote for Water Tank and steel mounting frame

Dear Ernie:

Per your request we are pleased to quote the following equipment manufactured to current standards to include the following:

One (1) Norwesco Elliptical Water Tank
Part Number 40191
89" long x 54" high x 79" wide
2" drain and outlet ports
Three (3) Elliptical Leg tank bands 60325
Steel Frame for mounting

Equipment	\$ 2239.60
Tax	\$ 153.97
Net Total	\$ 2393.57

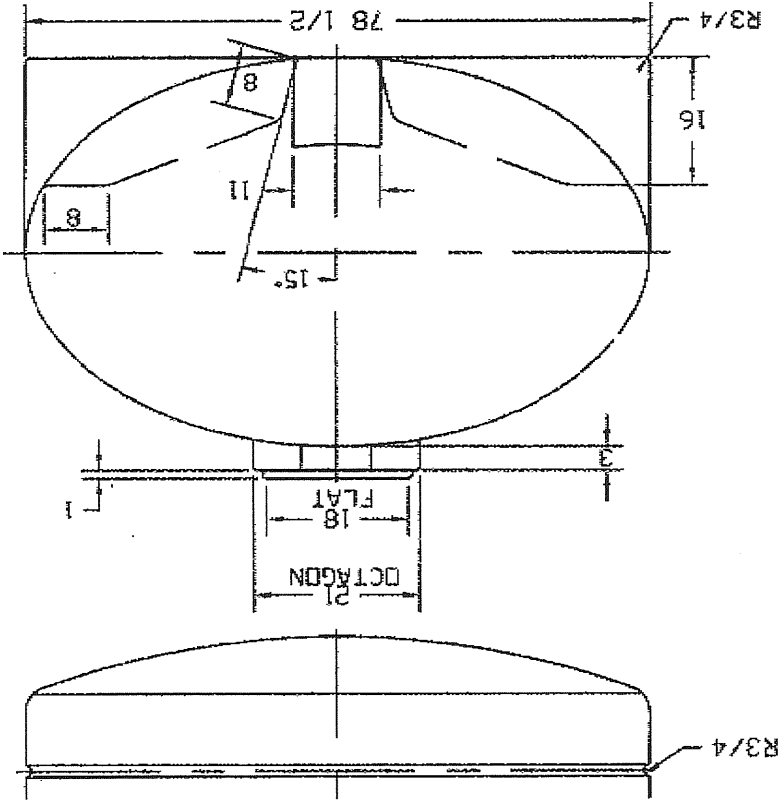
Note; Price quoted does not have any tie down straps

Please look over this quote and if you have any questions, please give me a call at anytime.

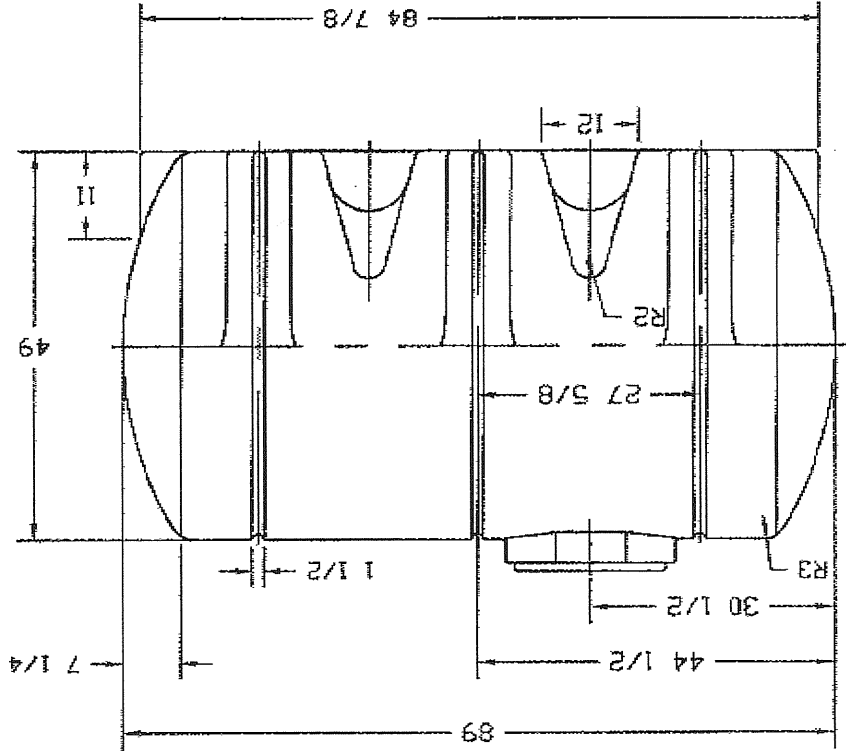
Sincerely,

Bob Brandenburg
Crysteel Truck Equipment

SHEET		DATE		JOB NO.		JOB NO.	
5		1/16		25JUN97		JTP 25JUN97	
LEG TANK				1035 GALLON ELLIPTICAL			
ST. BONIFACIUS, MN.				NORWESCO			



NO.	REV.	DESCRIPTION	DATE	APPROVED
6		SPARGER FLATS RMVD.	07MAR01	
F		SPARGER FLATS REVISED	23OCT98	
E		REDRAWN	25JUN97	



Above Ground Tanks

- Locate Distributor
- Vertical Storage
- Black or Dark Green Vertical Water Storage
- Specialty Water
- Horizontal Leg
- Elliptical Leg
- Drainable Leg
- Pickup Truck
- Mini Bulk
- Cone Bottom
- Cone Bottom Stands
- PCO
- Flat Bottom Utility
- Elliptical
- Applicator
- Total Drain
- Inductor
- Spot Sprayer
- Containment
- Bulkhead Fittings
- Bolted Fittings
- Bolted FTG
- Installation Guide
- Tank Fitting Data
- Lids
- Tank Repair Kit
- Frequently Asked Questions
- New Products
- Water & Waste Tanks
- Rochester Product Line
- Valves, Couplers & Accessories
- Locate Distributor

Elliptical Leg Tanks



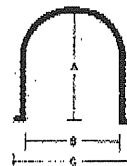
This elliptical tank style is designed to provide the greatest capacity with the lowest center of gravity, making it the best design available for transporting larger volumes. Norwesco elliptical tanks feature molded-in legs that act as "baffles" to reduce sloshing and provide increased stability during transport. All Norwesco elliptical leg tanks require full length bottom support as well as support bands.

[CLICK HERE TO VIEW FITTING INSTALLATION GUIDE - ELLIPTICAL LEG TANKS](#)

ELLIPTICAL LEG TANKS									
Gallon Capacity	Width	Overall Length	Fill Opening	Outlet/Drain Specification	Premium Weight Part No.	Avail	Heavy Weight Part No.	Avail	
335	48"	93"	71"	16"	2"	42339	White	B,C,D,E,F,L,T	NA
525	57"	98"	80"	16"	2"	42352		B,C,D,E,F,L,T	NA
1035	78"	128"	89"	16"	2"	40181		B,C,F	NA
1235	66"	53"	128"	16"	2"	40239		L	NA
1535	86"	53"	128"	16"	2"	42327		B,C	42929
1635	71"	88"	142"	16"	2"	40987		B,C,D,E,F,L,T	40288
2035	84"	58"	142"	16"	2"	40618-MN-OK-TX 40618-GA-CH-UT-CA		B,C,D,E,F,L,T	40223-MN-OK-TX 40223-GA-CH-UT-CA
2635	80"	72"	140"	16"	3/2"	40547-MN-TX 40547-GA-CH-UT-CA		B,C,D,F,L,T	40283-MN-TX 40283-GA-CH-UT-CA
3135	88"	80"	150"	16"	3/2"	40585-MN-OK-TX 40585-GA-CH-UT-CA		B,C,D,E,F,L,T	40588-MN-OK-TX 40588-GA-CH-UT-CA
4035	92"	75"	192"	16"	3/2"	41267		B,C,L,T	41269

*16" hinged lid, Norwesco part number 62552.

Availability Key: A=All; B=Blonifacius, MN; C=Lancaster, OH; D=Griffin, GA; E=Shawnee, OK; F=Toledo, UT; G=Owego, NY; H=Washougal, WA; I=Sheldon, IA; L=Hanford, CA; T=Fairfield, TX



Norwesco bands are custom fabricated to support the Norwesco tanks and are galvanized for added corrosion protection. Whether using the tank in a stationary position or for transport, bands are necessary to ensure that the tank retains its shape and integrity.

ELLIPTICAL LEG TANK BANDS					
Tank Size (Gallon)	A	B	C	No. of Bands	Part No.
335	28"	46 1/2"	62 1/2"	2 required	93549
525	38"	55 1/2"	81 1/2"	2 required	93547
1035	47 1/4"	77"	83"	3 required	60326
1235	47 3/4"	84 3/4"	70 3/4"	4 required	60477
1335	53"	65"	71"	3 required	60642
1635	51"	66"	74"	4 required	60826
2035	51 1/4"	81 1/2"	86 3/4"	4 required	62079
2635	65 1/4"	87 1/2"	94"	4 required	60359
3135	75 1/4"	85 1/2"	92"	4 required	62097
3135*	74 1/4"	85 1/2"	92"	4 required	63620
4035	70 1/4"	89 1/2"	88"	4 required	62832

*Order this part number if the tank is shipping from our CA or UT plants and was manufactured after 12/1/07 or if shipping from our MN, OK, or TX manufacturing plants and was manufactured after 10/1/06.

LADDER		
Description	Tank Size (Gallon)	Part No.
Ladder (optional)	2635 & 3135	60364
Ladder (optional)	4035	62033
*Adaptor kit for ladder	3135	62301

*This kit is required when using ladder on the 3135 gallon tank.

Tank dimensions and capacities may vary slightly and are subject to change without notice.